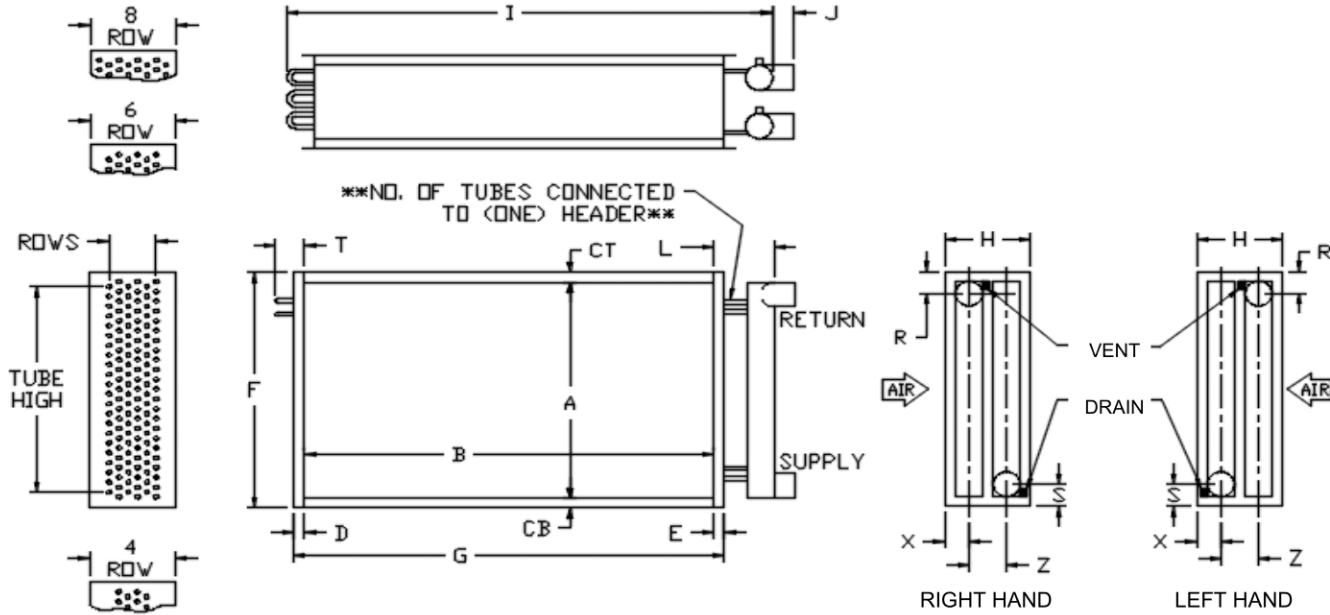


DRAWING NO: WC-1 SAME END CONNECTIONS WATER COIL



TUBING			FINS		
COPPER			ALUMINUM	COPPER	
3/8"	1/2"	5/8"	3/8"	1/2"	5/8"
.014"	.017"	.020"	.006"	.006"	.006"
.016"	.025"	.025"	.008"	.008"	.008"
.020"	.032"	.035"	.010"	.010"	.010"
		.049"			
HEADERS COPPER			CONNECTIONS	CASING	
Item	Supply	Return	COPPER	16ga. Galv.	
1			MPT	16ga. 304 S/S	
2			FPT	16ga. 316 S/S	
3			SWT	VENT/DRAIN	
4				1/8" FPT	

QTY	COIL HAND	Tubes High	Tubes Conn. To HDR	DIMENSIONAL DATA IN INCHES																			
				ROW	FPI	A	B	CT	CB	D	E	F	G	H	I	J	L	S	R	T	X	Z	
1																							
2																							
3																							
4																							

COIL TAG(S)/MODEL NO.	NOTES:	PROJECT:
1		
2		
3		
4		PAGE 1 OF 1      DATE: